

IL6-P3 Series LED 8" and 12" Traffic Signal Module Incandescent Look Ball

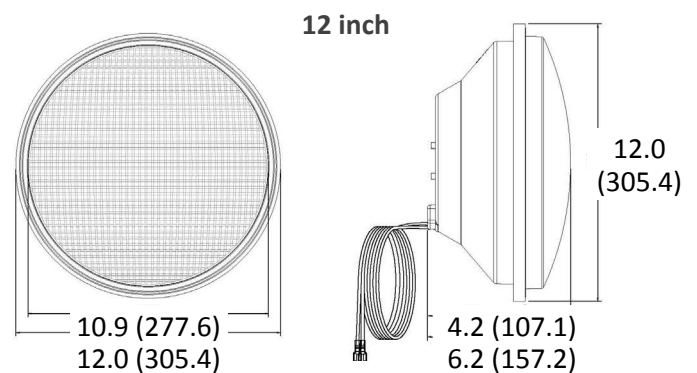
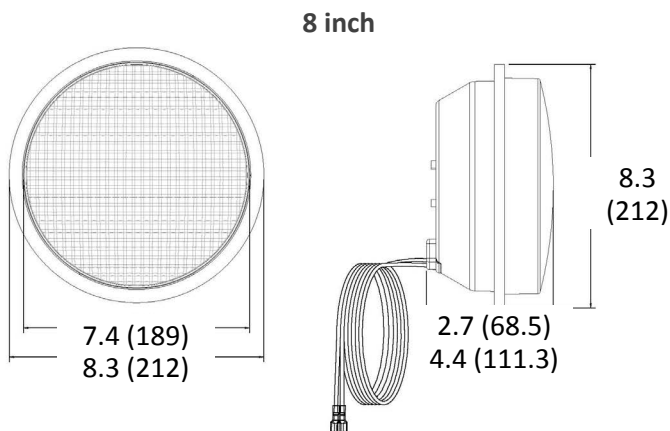
Leading the LED Industry since 1992 with the most energy efficient ITE-compliant traffic signal module.
With over 7,000,000 units installed globally



Superior Performance and Reliability

- Unique masking options available
- Intertek ETL verified
- Meets and/or exceeds all ITE standards ITE VTC SH LED Circular Signal Supplement dated June 27, 2005
- More energy efficient than previous model
- Easy installation into existing signal housings
- Patented innovative optical technology
- Wider viewing angle and enhanced uniformity
- Maintains 70% of the initial lumen intensity after 100,000 hours of operation
- Overmolded electrical connectors provide fully-weatherized seal
- Excellent moisture and dust resistance
- Utilizes constant current source to maintain consistent light output
- Superior thermal management
- Environmentally friendly
- 5-year limited warranty







Mechanical Dimensions [in(mm)]



IL6-P3 Series LED 8” and 12” Traffic Signal Module Incandescent Look Ball

Model Specifications and Ordering Options

Operating Temperature: -40°F to 165°F (-40°C to 74°C)	Turn-On/Turn-Off Time: < 75msec
Operating Voltage: 80 - 135Vac	Turn-Off Voltage: > 35Vac
Power Factor: > 0.90	Total Harmonic Distortion (THD): < 20%

	Model Number and Color	Wattage Drawn	Voltage	Dominant Wavelength	Maintained Intensity (cd) Min.	Standard
IL6-P3	8 inch ball					
	TSL-08R-LX-IL6-A1-P3 	6	80-135Vac	626	165	ITE 2005/ETL/Caltrans
	TSL-08Y-LX-IL6-A1-P3 	6	80-135Vac	589	410	ITE 2005/ETL/Caltrans
	TSL-08G-LX-IL6-A1-P3 	6	80-135Vac	500	215	ITE 2005/ETL/Caltrans
	12 inch ball					
	TSL-12R-LX-IL6-A1-P3 	6.2	80-135Vac	626	365	ITE 2005/ETL/Caltrans
	TSL-12Y-LX-IL6-A1-P3 	9.7	80-135Vac	589	910	ITE 2005/ETL/Caltrans
	TSL-12G-LX-IL6-A1-P3 	6.7	80-135Vac	500	475	ITE 2005/ETL/Caltrans

Notes:

- 1 Tinted lens standard, clear lens optional. When ordering clear lens, please add “-CLR” to model number. Both tinted and clear lens are Intertek ETL Verified.

Standard Conformance

- FCC Compliant for Electrical Noise
- MIL-STD-810F Moisture Resistant
- MIL-STD-883 Mechanical Vibration
- NEMA TS2 Section 2.1.8, Transient Voltage Protection over 2000V
- IEC 1000-4-5, 3KV, 2 ohm source impedance
- ANSI/IEEE C62.41-2002; IEC 61000-4-12, 6KV, 200A, 100KHz ring wave

ITE VTCSH Compliance - LED Circular Signal Supplement – June 27, 2005

• Conditioning	ITE 6.4.2	• Luminous Intensity	ITE 6.4.4.1-4
• Mechanical Vibration	ITE 6.4.3.1	• Chromaticity	ITE 6.4.4.6
• Temperature Cycling	ITE 6.4.3.2	• Current Consumption	ITE 6.4.6.1

LED 16" Pedestrian Signal Module SPC Superior Performance Countdown Series

Leading the LED Industry Since 1992

With over 7,000,000 units installed globally



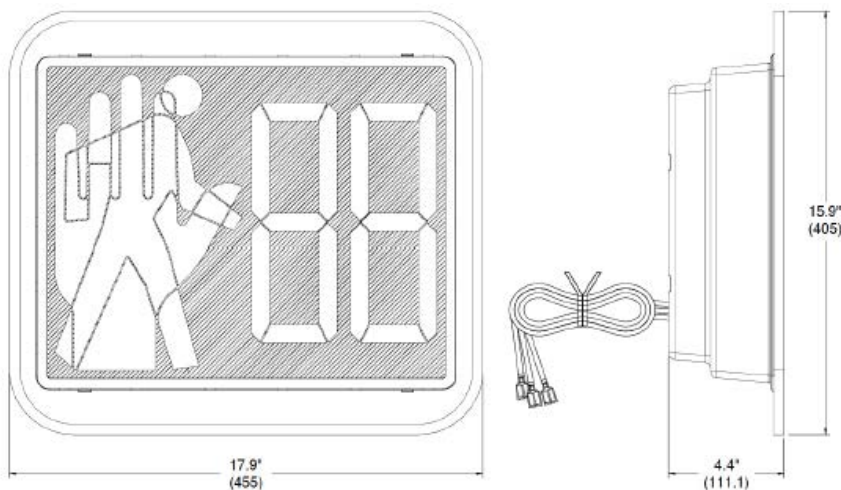
SPC Series

Superior Performance and Reliability

- Intertek ETL verified
- Easy installation into existing signal housings
- Internal conflict monitor prevents simultaneous walk/don't walk indications
- Hand/person monitoring to accommodate up to 8 units connected in parallel
- Patented innovative incandescent optical technology
- Wider viewing angle and enhanced uniformity
- Maintains 70% of the initial lumen intensity after 100,000 hours of operation
- Robust hard-coated and UV-stabilized polycarbonate lens for increased longevity against the elements
- Excellent moisture and dust resistance through complete gasket sealing
- Utilizes constant current source to maintain consistent light output
- Superior thermal management
- Rugged one-piece housing design
- Greater safety and reliability provided by utilizing multiple independent power supplies
- 5-year limited warranty

Mechanical Dimensions [in(mm)]

SPC Digit Height 9"



SPC Series



LED 16" Pedestrian Signal Module SPC Superior Performance Countdown Series

Model Specifications and Ordering Options

LED Color/Type	<input checked="" type="radio"/> Portland Orange/AlInGaP	<input type="radio"/> Lunar White/InGaN
Operating Temperature: -40°F to 165°F (-40°C to 74°C)	Total Harmonic Distortion (THD): < 20%	
Operating Voltage: 80 - 135Vac	Turn-On/Turn-Off Time: < 75msec	
Power Factor: > 0.90	Turn-Off Voltage: > 35Vac	

Model Number	Description	Wattage Drawn	Standard
16-inch Incandescent Look Dual Pedestrian Countdown			
TSL-PED-16-SPC-V1*	Full Symbol	Portland Orange Hand – 8.3W Lunar White Man – 8.9W Portland Orange Countdown –5.1W	ITE PTCSI-LED Signal Modules - Aug 4, 2010/ETL ¹

Please note:

*-SW includes an optional on/off toggle switch allowing users the option to turn on/off the countdown digits.

*-DS includes an accessible dip-switch for the user selectable options.

¹Intertek ETL verified

Standard Conformance

- FCC Compliant for Electrical Noise
- MIL-STD-810F Moisture Resistant
- MIL-STD-883 Mechanical Vibration
- MUTCD Compliant
- NEMA TS2 Section 2.1.6, 2.1.8, Transient Voltage Protection over 2000V
- Exceeds ITE/NEMA Transient Suppression Specification
- Fully Compatible for Preemption

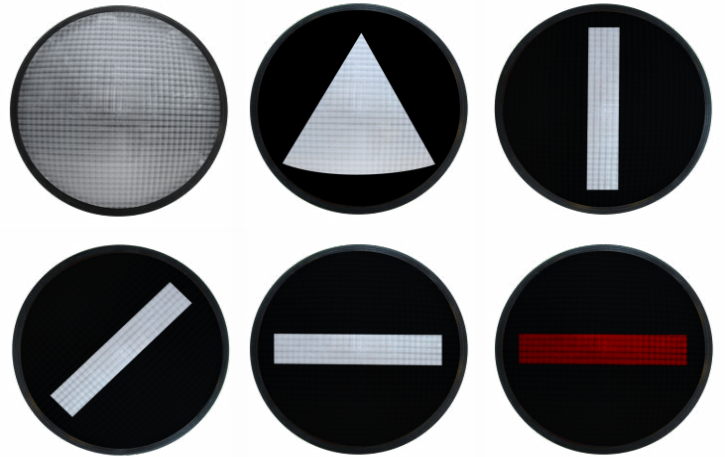
LED Transit Indications IL Series Signal Module

Leading the LED Industry Since 1992

With over 7,000,000 units installed globally

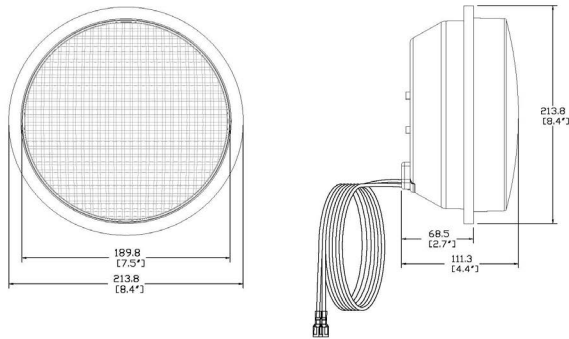
Longer Lasting, Brighter Light

- Meets AREMA and Transport Canada standards for Safety Assurance
- Reliable High Flux / High Power LEDs
- Excellent moisture and dust resistance
- Robust hard-coated and UV-stabilized polycarbonate lens for increased longevity against the elements
- Maintains 70% of the initial lumen intensity after 100,000 hours of operation
- 5-Year Limited Warranty

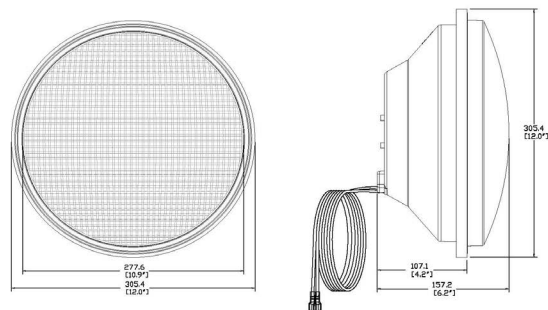


Mechanical Dimensions [in(mm)]

8 inch



12 inch



Model Specifications and Ordering Options

Operating Temperature	-40°F to 165°F (-40°C to 74°C)
Input Voltage	80-135 Vac, 60Hz
Power Factor	>0.90

Turn on/off time	<75msec
Moisture	MIL-STD-810F
Electronic Noise	FCC Title 47 Sub. B Sec 15 Class A

Size	Model	Color	LED Type	Wattage Drawn
8 inch	TSL-08W-LX-IL6-A1	○	InGaN	5.9
12 inch	TSL-12W-LX-IL6-A1	○	InGaN	6.9
	TSL-12W-IL6-TR-A1	◐	InGaN	6.9
	TSL-12W-IL6-BV-A1	◑	InGaN	6.9
	TSL-12W-IL6-BD-A1	◒	InGaN	6.9
	TSL-12W-IL6-BH-A1	◓	InGaN	6.9
	TSL-12R-IL6-BH-A1	◔	AllnGaP	5.6